



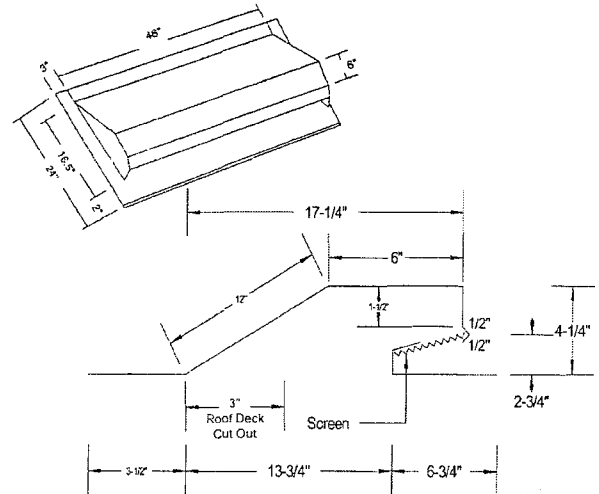
## OFF RIDGE ROOF VENT INSTALLATION

### PREPARATION

Minimum 4/12 pitch required.

Cut out the off ridge opening in the roof sheathing as shown in Figure A. Size the opening in accordance with the correct cutting data models and locate the opening 6" minimum off the peak of the roof as shown in Figure B. For single vent applications, install vent as close to the center of the roof length as possible. Install multiple vents in evenly spaced areas of the entire roof length.

Do not cut into trusses or rafters when cutting hole in the roof.



STANDARD OFF RIDGE VENT

SIZE	LENGTH "L"	Area Net Free SQ IN	HEIGHT "H"	Cut Out Size
4'	46.25	138	5.5"	46" x 3"
6'	70.25	210	5.5"	70" x 3"
8'	94.25	282	5.5"	94" x 3"
10'	118.25	354	5.5"	118" x 3"

TILE OFF RIDGE VENT

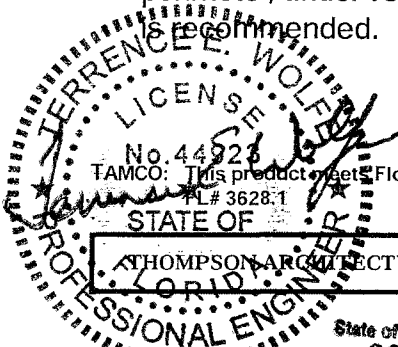
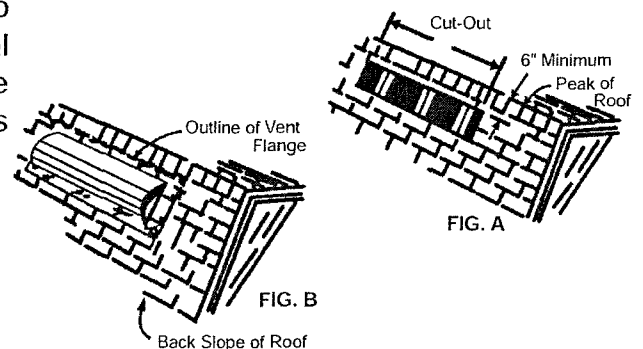
SIZE	LENGTH "L"	Area Net Free SQ IN	HEIGHT "H"	Cut Out Size
4'	46.25	138	8.5"	46" x 3"
6'	70.25	210	8.5"	70" x 3"
8'	94.25	282	8.5"	94" x 3"
10'	118.25	354	8.5"	118" x 3"

### FITTING

Remove interfering shingle nails around the perimeter of the opening. Slide top and side flanges of the vent up and under shingles. Allow the bottom vent flanges to lay on top of shingles.

### MOUNTING

Care should be taken in keeping the vent properly aligned. Nail in place using 1-1/4" coating roofing nails spaced approximately 6" - 12" on center and 1-1/2" from each end. Roofing cement should be applied to all shingle edges and nail heads to prevent water leakage. In severe weather coastal construction zones, caulking around entire perimeter, under vent flanges and near outer edges is recommended.



TAMCO: This product meets Florida Building Code Table 1507.5.3/1508.4.3

STATE OF FLORIDA

THOMPSON ARCHITECTURAL METALS • 5015 E. Hillsborough Avenue • Tampa, FL 33610 • (813) 248-3456 • Fax (813) 247-4616

State of Florida  
C.O.A.  
# 26778

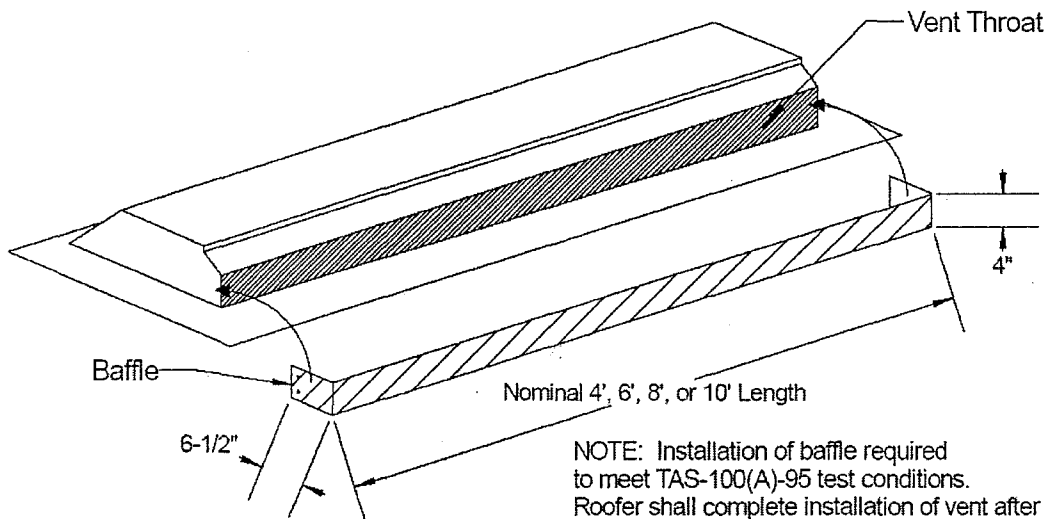
JUL 14 2008

# Installation Method

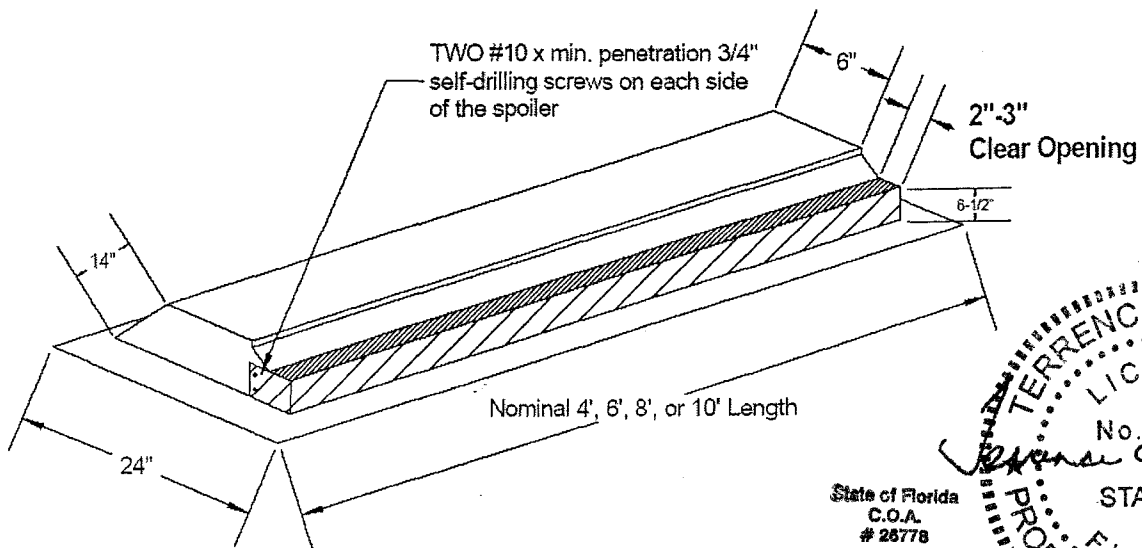
## Thompson Architectural Metals Company

### “Flat Top Off Ridge Vent with Baffle for Tile”

#### Attached to Wood Deck

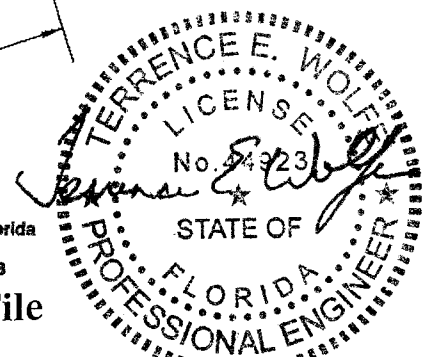


NOTE: Installation of baffle required to meet TAS-100(A)-95 test conditions. Roofer shall complete installation of vent after tiles are laid down to the vent throat. The baffle rests upon the top surface of the tile, and is fitted around the vent throat to allow for a 2" to 3" clear opening. Installation is complete upon the baffle being attached at the opening on the top surface of the tile with TWO #10 x min. penetration 3/4", self-drilling screws through each flange into the sides of the vent housing.



**Flat Top Off Ridge Vent with Baffle for Tile**

State of Florida  
C.O.A.  
# 28778

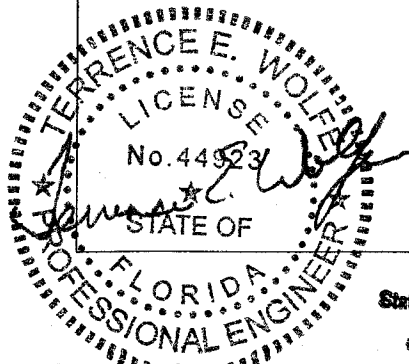
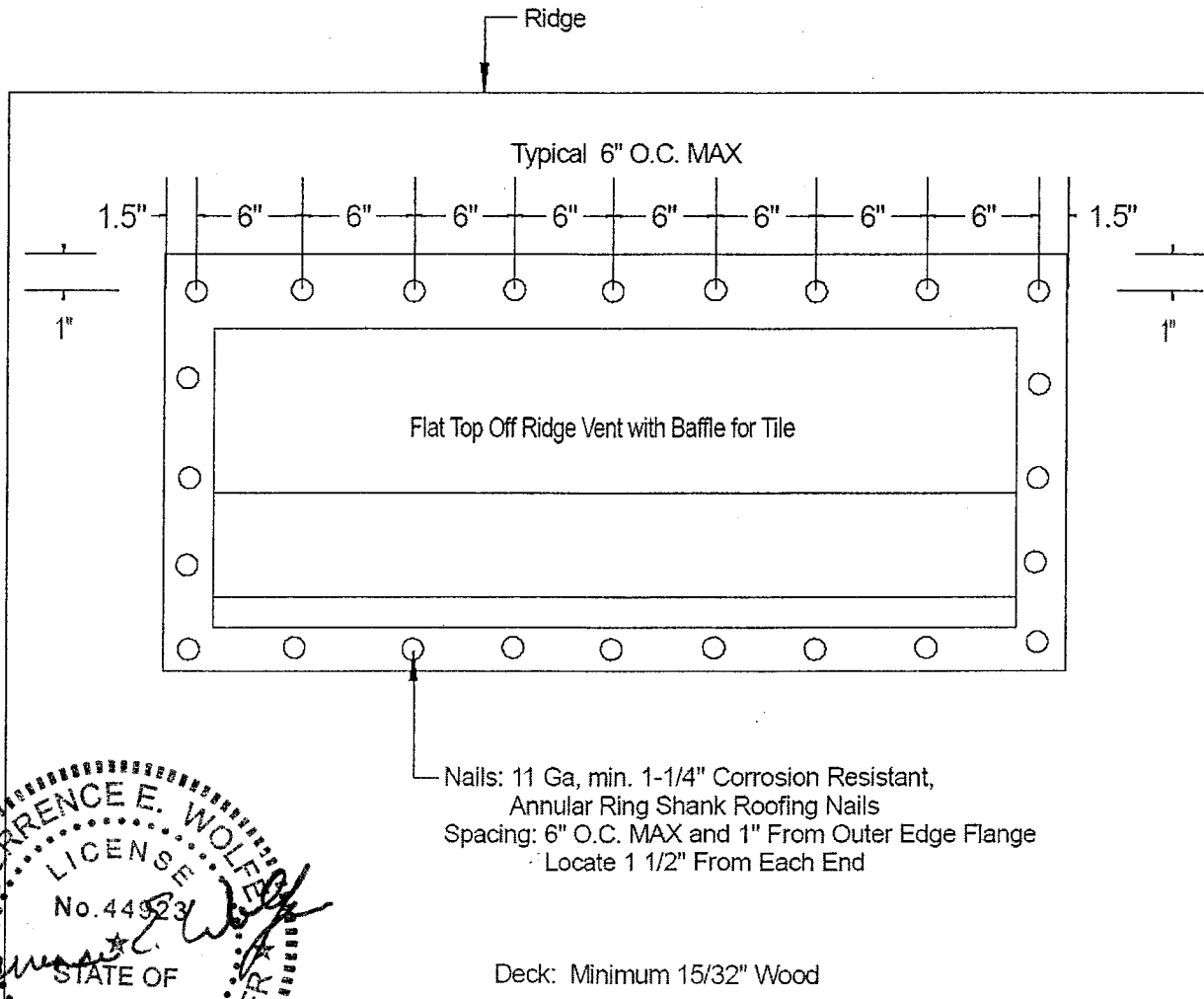


JUL 14 2008

**Installation Method (Continued)**  
**Thompson Architectural Metals Company**  
**“Flat Top Off Ridge Vent with Baffle for Tile”**  
**Attached to Wood Deck**

**Flat Top Off Ridge Vent with Baffle for Tile**

Size	Length	Height
4'	46.25	8.5"
6'	70.25	8.5"
8'	94.25	8.5"
10'	118.25	8.5"



State of Florida  
 C.O.A.  
 # 26778

**Plan View**

JUL 14 2008